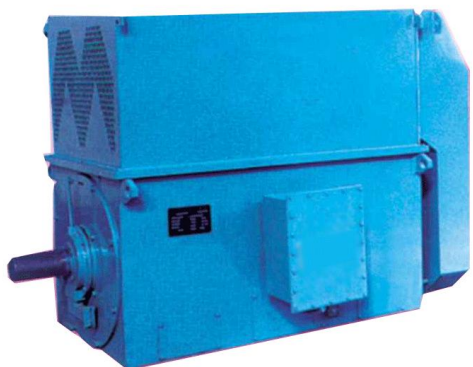


YKK 系列 高压 三相 异步 电动机

YKK SERIES HIGH-VOLTAGE THREE PHASE INDUCTION MOTOR



Frame **355~630 (6kV)** **450~630 (10kV)**

Power **185~2240kW (6kV)** **185~1800kW (10kV)**

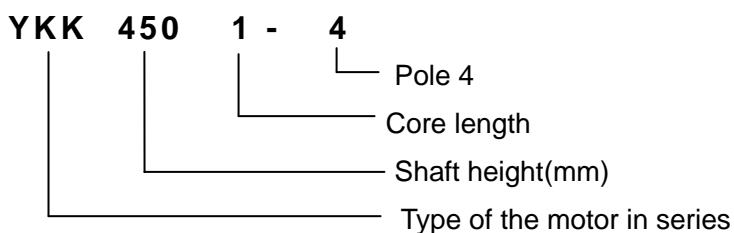
Working Cond S1

Insulation: F

Applications: General purpose including compressor, water pump, crack machine, cut machine, transportation machine and other equipments. It is also used as the primitive drive for the mine mechanical industry, petroleum & chemistry industry, power plant and so on.

Features: the motor has the box-type construction, which was made up of steel plate welded with each other, lightweight and good stiffness. On top of the motor is the air- air cooler, convenient to maintenance and replacement. The stator adopts the press construction; the winding with class F insulation and VPI impregnating, which ensure the reliable of the insulation, the mechanical stress and the capable of resistant humidity. The basical protection class is IP44; IP54 motor can be supplied according to requirement

Designations of types



Performance Data

6kV 50Hz

Type	kW	r/min	Full Load			Breakdown Torque Rated Torque	Locked Rotor Torque Rated Torque	Locked Rotor Current Rated Current	Sound Power dB(A)
			Current A	Eff. %	Power Factor cosΦ				
YKK355H1-2	220	3000	27	92.5	0.85	1.8	0.6	7.0	109
YKK355H2-2	250		31	92.6	0.85				111
YKK355H3-2	280	3000	34	92.8	0.85	1.8	0.6	7.0	111
YKK355H4-2	315		38	93.1	0.85				
YKK355H1-4	185	1500	22.6	92.8	0.85	1.8	0.8	6.5	106
YKK355H2-4	200		24.4	92.9					



Performance Data

6kV 50Hz

Type	kW	r/min	Full Load			Breakdown Torque Rated Torque	Locked Rotor Torque Rated Torque	Locked Rotor Current Rated Current	Sound Power dB(A)
			Current A	Eff. %	Power Factor cosΦ				
YKK355H3-4	220	1500	26.8	93.0	0.85	1.8	0.7	6.5	106
YKK355H4-4	250		30.4	93.1					108
YKK400H2-2	355	3000	43	93.4	0.86	1.8	0.6	7.0	111
YKK400H3-2	400		48	93.7					
YKK400H4-2	450	3000	54	94	0.86	1.8	0.6	7.0	111
YKK400H5-2	500		59	94.2					
YKK400H2-4	280	1500	33.6	93.2	0.86	1.8	0.7	6.5	108
YKK400H3-4	315		37.8	93.3					
YKK400H4-4	355	1500	42.5	93.5	0.86	1.8	0.7	6.5	108
YKK400H5-4	400		47.8	93.7					
YKK400H6-4	450		53.6	93.9					
YKK400H1-6	185	1000	23.5	92.4	0.82	1.8	0.8	6.0	102
YKK400H2-6	200		25.3	92.6					
YKK400H3-6	220	1000	27.8	92.8	0.82	1.8	0.8	6.0	102
YKK400H4-6	250		31.5	93.0					105
YKK400H5-6	280	1000	35.2	93.3	0.82	1.8	0.8	6.0	105
YKK400H6-6	315		39.5	93.5					
YKK400H4-8	185	750	24.7	92.5	0.78	1.8	0.8	5.5	99
YKK400H5-8	200		26.6	92.7					
YKK400H6-8	220		29.2	92.9					
YKK450H2-2	560	3000	66	94.4	0.86	1.8	0.6	7.0	112
YKK450H3-2	630		74	94.6					
YKK450H4-2	710	3000	83	94.7	0.87	1.8	0.6	7.0	112
YKK450H5-2	800		93	94.8					
YKK450H2-4	500	1500	59.5	94.0	0.86	1.8	0.8	6.5	108
YKK450H3-4	560		66.5	94.2					111
YKK450H4-4	630	1500	74.7	94.4	0.86	1.8	0.8	6.5	111
YKK450H5-4	710		84.0	94.6					
YKK450H2-6	355	1000	43.9	93.7	0.83	1.8	0.8	6.0	105
YKK450H3-6	400		49.4	93.8					
YKK450H4-6	450	1000	55.4	94.1	0.83	1.8	0.8	6.0	105
YKK450H5-6	500		61.5	94.3					
YKK450H2-8	250	750	32.7	93.0	0.79	1.8	0.8	5.5	102
YKK450H3-8	280		36.6	93.2					
YKK450H4-8	315	750	41.1	93.4	0.79	1.8	0.8	5.5	102
YKK450H5-8	355		46.2	93.5					
YKK450H1-10	185	600	25.9	91.7	0.75	1.8	0.8	5.5	99
YKK450H2-10	200		27.9	91.9					
YKK450H3-10	220		30.6	92.1					
YKK450H4-10	250	600	34.8	92.3	0.75	1.8	0.8	5.5	102
YKK450H5-10	280		38.8	92.5					



Performance Data

6kV 50Hz

Type	kW	r/min	Full Load			Breakdown Torque Rated Torque	Locked Rotor Torque Rated Torque	Locked Rotor Current Rated Current	Sound Power dB(A)																																																																																																																																																																																																																																																																																																	
			Current A	Eff. %	Power Factor cosΦ																																																																																																																																																																																																																																																																																																					
YKK450H4-12	185	500	27.7	91.8	0.70	1.8	0.8	5.5	99																																																																																																																																																																																																																																																																																																	
YKK450H5-12	200		29.9	92.0						YKK500H1-2	900	3000	105	95	0.87	1.8	0.6	7.0	112	YKK500H2-2	1000	116	95.1	YKK500H3-2	1120	3000	130	95.2	0.87	1.8	0.6	7.0	113	YKK500H4-2	1250	145	95.3	0.87	112	YKK500H1-4	800	1500	93.9	94.8	0.87	1.8	0.7	6.5	111	YKK500H2-4	900	105	94.9	YKK500H3-4	1000	1500	116	95.0	0.87	1.8	0.7	6.5	111	YKK500H4-4	1120	130	95.1	0.87	113	YKK500H1-6	560	1000	68.0	94.4	0.84	1.8	0.7	6.0	108	YKK500H2-6	630	76.4	94.5	YKK500H3-6	710	1000	85.8	94.8	0.84	1.8	0.7	6.0	108	YKK500H4-6	800	96.6	94.9	YKK500H1-8	400	750	51.3	93.7	0.80	1.8	0.8	5.5	102	YKK500H2-8	450	57.7	93.8	YKK500H3-8	500	750	63.8	94.2	0.80	1.8	0.8	5.5	102	YKK500H4-8	560	71.4	94.4	0.80	105	YKK500H1-10	315	600	43.0	92.8	0.76	1.8	0.8	5.5	102	YKK500H2-10	355	48.3	93.0	YKK500H3-10	400	600	54.3	93.3	0.76	1.8	0.8	5.5	102	YKK500H4-10	450	61.0	93.4	YKK500H1-12	220	500	31.9	92.2	0.72	1.8	0.8	5.5	99	YKK500H2-12	250	36.1	92.5	0.72	102	YKK500H3-12	280	500	40.4	92.7	0.72	1.8	0.8	5.5	102	YKK500H4-12	315	45.4	92.8	YKK560H1-2	1400	3000	160	95.4	0.88	1.8	0.6	7.0	112	YKK560H2-2	1600	183	95.5	YKK560H3-2	1800	206	95.6	YKK560H1-4	1250	1500	144	95.2	0.88	1.8	0.6	6.5	113	YKK560H2-4	1400	161	95.3	YKK560H3-4	1600	183	95.4	YKK560H1-6	900	1000	107	95.0	0.85	1.8	0.7	6.5	108	YKK560H2-6	1000	119	95.1	YKK560H3-6	1120	133	95.2	YKK560H1-8	630	750	78.2	94.5	0.82	1.8	0.7	6.0	110	YKK560H2-8	710	80.0	94.6	YKK560H3-8	800	99.1	94.7	0.82	105	YKK560H1-10	500	600	65.9	93.6	0.78	1.8	0.7	6.0	102	YKK560H2-10	560	73.7	93.7	0.80	105	YKK560H3-10	630	600	82.8	93.8	0.80	1.8	0.7	6.0	105	YKK560H4-10	710	93.1	94.0	YKK560H1-12	355	500	49.6	93.0	0.74	1.8	0.7	6.0
YKK500H1-2	900	3000	105	95	0.87	1.8	0.6	7.0	112																																																																																																																																																																																																																																																																																																	
YKK500H2-2	1000		116	95.1						YKK500H3-2	1120	3000	130	95.2	0.87	1.8	0.6	7.0	113	YKK500H4-2	1250	145	95.3	0.87	112	YKK500H1-4	800	1500	93.9	94.8	0.87	1.8	0.7	6.5	111	YKK500H2-4	900	105	94.9	YKK500H3-4	1000	1500	116	95.0	0.87	1.8	0.7	6.5	111	YKK500H4-4	1120	130	95.1	0.87	113	YKK500H1-6	560	1000	68.0	94.4	0.84	1.8	0.7	6.0	108	YKK500H2-6	630	76.4	94.5	YKK500H3-6	710	1000	85.8	94.8	0.84	1.8	0.7	6.0	108	YKK500H4-6	800	96.6	94.9	YKK500H1-8	400	750	51.3	93.7	0.80	1.8	0.8	5.5	102	YKK500H2-8	450	57.7	93.8	YKK500H3-8	500	750	63.8	94.2	0.80	1.8	0.8	5.5	102	YKK500H4-8	560	71.4	94.4	0.80	105	YKK500H1-10	315	600	43.0	92.8	0.76	1.8	0.8	5.5	102	YKK500H2-10	355	48.3	93.0	YKK500H3-10	400	600	54.3	93.3	0.76	1.8	0.8	5.5	102	YKK500H4-10	450	61.0	93.4	YKK500H1-12	220	500	31.9	92.2	0.72	1.8	0.8	5.5	99	YKK500H2-12	250	36.1	92.5	0.72	102	YKK500H3-12	280	500	40.4	92.7	0.72	1.8	0.8	5.5	102	YKK500H4-12	315	45.4	92.8	YKK560H1-2	1400	3000	160	95.4	0.88	1.8	0.6	7.0	112	YKK560H2-2	1600	183	95.5	YKK560H3-2	1800		206	95.6						YKK560H1-4	1250	1500	144	95.2	0.88	1.8	0.6	6.5	113		YKK560H2-4	1400						161	95.3	YKK560H3-4	1600	183	95.4	YKK560H1-6	900	1000	107		95.0	0.85						1.8	0.7	6.5	108	YKK560H2-6	1000	119	95.1	YKK560H3-6	1120		133	95.2					YKK560H1-8	630	750	78.2	94.5	0.82	1.8	0.7	6.0	110	YKK560H2-8	710	80.0	94.6	YKK560H3-8	800	99.1	94.7	0.82	105	YKK560H1-10	500	600	65.9	93.6	0.78	1.8	0.7	6.0	102	YKK560H2-10	560	73.7	93.7	0.80	105	YKK560H3-10	630	600	82.8	93.8	0.80	1.8	0.7	6.0	105	YKK560H4-10	710	93.1	94.0
YKK500H3-2	1120	3000	130	95.2	0.87	1.8	0.6	7.0	113																																																																																																																																																																																																																																																																																																	
YKK500H4-2	1250		145	95.3					0.87	112																																																																																																																																																																																																																																																																																																
YKK500H1-4	800	1500	93.9	94.8	0.87	1.8	0.7	6.5	111																																																																																																																																																																																																																																																																																																	
YKK500H2-4	900		105	94.9						YKK500H3-4	1000	1500	116	95.0	0.87	1.8	0.7	6.5	111	YKK500H4-4	1120	130	95.1	0.87	113	YKK500H1-6	560	1000	68.0	94.4	0.84	1.8	0.7	6.0	108	YKK500H2-6	630	76.4	94.5	YKK500H3-6	710	1000	85.8	94.8	0.84	1.8	0.7	6.0	108	YKK500H4-6	800	96.6	94.9	YKK500H1-8	400	750	51.3	93.7	0.80	1.8	0.8	5.5	102	YKK500H2-8	450	57.7	93.8	YKK500H3-8	500	750	63.8	94.2	0.80	1.8	0.8	5.5	102	YKK500H4-8	560	71.4	94.4	0.80	105	YKK500H1-10	315	600	43.0	92.8	0.76	1.8	0.8	5.5	102	YKK500H2-10	355	48.3	93.0	YKK500H3-10	400	600	54.3	93.3	0.76	1.8	0.8	5.5	102	YKK500H4-10	450	61.0	93.4	YKK500H1-12	220	500	31.9	92.2	0.72	1.8	0.8	5.5	99	YKK500H2-12	250	36.1	92.5	0.72	102	YKK500H3-12	280	500	40.4	92.7	0.72	1.8	0.8	5.5	102	YKK500H4-12	315	45.4	92.8	YKK560H1-2	1400	3000	160	95.4	0.88	1.8	0.6	7.0	112	YKK560H2-2	1600	183	95.5	YKK560H3-2	1800	206	95.6	YKK560H1-4	1250	1500	144	95.2	0.88	1.8	0.6	6.5	113	YKK560H2-4	1400	161	95.3	YKK560H3-4	1600	183	95.4	YKK560H1-6	900	1000	107	95.0	0.85	1.8	0.7	6.5	108	YKK560H2-6	1000	119	95.1	YKK560H3-6	1120	133	95.2	YKK560H1-8	630	750	78.2	94.5	0.82	1.8	0.7	6.0	110	YKK560H2-8	710	80.0	94.6	YKK560H3-8	800	99.1	94.7	0.82	105	YKK560H1-10	500	600	65.9	93.6	0.78	1.8	0.7	6.0	102	YKK560H2-10	560	73.7	93.7	0.80	105	YKK560H3-10	630	600	82.8	93.8	0.80	1.8	0.7	6.0	105	YKK560H4-10	710	93.1	94.0	YKK560H1-12	355	500	49.6	93.0	0.74	1.8	0.7	6.0	102	YKK560H2-12	400	55.7	93.3	0.75																																						
YKK500H3-4	1000	1500	116	95.0	0.87	1.8	0.7	6.5	111																																																																																																																																																																																																																																																																																																	
YKK500H4-4	1120		130	95.1					0.87	113																																																																																																																																																																																																																																																																																																
YKK500H1-6	560	1000	68.0	94.4	0.84	1.8	0.7	6.0	108																																																																																																																																																																																																																																																																																																	
YKK500H2-6	630		76.4	94.5						YKK500H3-6	710	1000	85.8	94.8	0.84	1.8	0.7	6.0	108	YKK500H4-6	800	96.6	94.9	YKK500H1-8	400	750	51.3	93.7	0.80	1.8	0.8	5.5	102	YKK500H2-8	450	57.7	93.8	YKK500H3-8	500	750	63.8	94.2	0.80	1.8	0.8	5.5	102	YKK500H4-8	560	71.4	94.4	0.80	105	YKK500H1-10	315	600	43.0	92.8	0.76	1.8	0.8	5.5	102	YKK500H2-10	355	48.3	93.0	YKK500H3-10	400	600	54.3	93.3	0.76	1.8	0.8	5.5	102	YKK500H4-10	450	61.0	93.4	YKK500H1-12	220	500	31.9	92.2	0.72	1.8	0.8	5.5	99	YKK500H2-12	250	36.1	92.5	0.72	102	YKK500H3-12	280	500	40.4	92.7	0.72	1.8	0.8	5.5	102	YKK500H4-12	315	45.4	92.8	YKK560H1-2	1400	3000	160	95.4	0.88	1.8	0.6	7.0	112	YKK560H2-2	1600	183	95.5	YKK560H3-2	1800	206	95.6	YKK560H1-4	1250	1500	144	95.2	0.88	1.8	0.6	6.5	113	YKK560H2-4	1400	161	95.3	YKK560H3-4	1600	183	95.4	YKK560H1-6	900	1000	107	95.0	0.85	1.8	0.7	6.5	108	YKK560H2-6	1000	119	95.1	YKK560H3-6	1120	133	95.2	YKK560H1-8	630	750	78.2	94.5	0.82	1.8	0.7	6.0	110	YKK560H2-8	710	80.0	94.6	YKK560H3-8	800	99.1	94.7	0.82	105	YKK560H1-10	500	600	65.9	93.6	0.78	1.8	0.7	6.0	102	YKK560H2-10	560	73.7	93.7	0.80	105	YKK560H3-10	630	600	82.8	93.8	0.80	1.8	0.7	6.0	105	YKK560H4-10	710	93.1	94.0	YKK560H1-12	355	500	49.6	93.0	0.74	1.8	0.7	6.0	102	YKK560H2-12	400	55.7	93.3	0.75																																																																				
YKK500H3-6	710	1000	85.8	94.8	0.84	1.8	0.7	6.0	108																																																																																																																																																																																																																																																																																																	
YKK500H4-6	800		96.6	94.9						YKK500H1-8	400	750	51.3	93.7	0.80	1.8	0.8	5.5	102	YKK500H2-8	450	57.7	93.8	YKK500H3-8	500	750	63.8	94.2	0.80	1.8	0.8	5.5	102	YKK500H4-8	560	71.4	94.4	0.80	105	YKK500H1-10	315	600	43.0	92.8	0.76	1.8	0.8	5.5	102	YKK500H2-10	355	48.3	93.0	YKK500H3-10	400	600	54.3	93.3	0.76	1.8	0.8	5.5	102	YKK500H4-10	450	61.0	93.4	YKK500H1-12	220	500	31.9	92.2	0.72	1.8	0.8	5.5	99	YKK500H2-12	250	36.1	92.5	0.72	102	YKK500H3-12	280	500	40.4	92.7	0.72	1.8	0.8	5.5	102	YKK500H4-12	315	45.4	92.8	YKK560H1-2	1400	3000	160	95.4	0.88	1.8	0.6	7.0	112	YKK560H2-2	1600	183	95.5	YKK560H3-2	1800		206	95.6						YKK560H1-4	1250	1500	144	95.2	0.88	1.8	0.6	6.5	113		YKK560H2-4	1400						161	95.3	YKK560H3-4	1600	183	95.4	YKK560H1-6	900	1000	107		95.0	0.85						1.8	0.7	6.5	108	YKK560H2-6	1000	119	95.1	YKK560H3-6	1120		133	95.2					YKK560H1-8	630	750	78.2	94.5	0.82	1.8	0.7	6.0	110	YKK560H2-8	710	80.0	94.6	YKK560H3-8	800	99.1	94.7	0.82	105	YKK560H1-10	500	600	65.9	93.6	0.78	1.8	0.7	6.0	102	YKK560H2-10	560	73.7	93.7	0.80	105	YKK560H3-10	630	600	82.8	93.8	0.80	1.8	0.7	6.0	105	YKK560H4-10	710	93.1	94.0	YKK560H1-12	355	500	49.6	93.0	0.74	1.8	0.7	6.0	102	YKK560H2-12	400	55.7	93.3	0.75																																																											
YKK500H1-8	400	750	51.3	93.7	0.80	1.8	0.8	5.5	102																																																																																																																																																																																																																																																																																																	
YKK500H2-8	450		57.7	93.8						YKK500H3-8	500	750	63.8	94.2	0.80	1.8	0.8	5.5	102	YKK500H4-8	560	71.4	94.4	0.80	105	YKK500H1-10	315	600	43.0	92.8	0.76	1.8	0.8	5.5	102	YKK500H2-10	355	48.3	93.0	YKK500H3-10	400	600	54.3	93.3	0.76	1.8	0.8	5.5	102	YKK500H4-10	450	61.0	93.4	YKK500H1-12	220	500	31.9	92.2	0.72	1.8	0.8	5.5	99	YKK500H2-12	250	36.1	92.5	0.72	102	YKK500H3-12	280	500	40.4	92.7	0.72	1.8	0.8	5.5	102	YKK500H4-12	315	45.4	92.8	YKK560H1-2	1400	3000	160	95.4	0.88	1.8	0.6	7.0	112	YKK560H2-2	1600	183	95.5	YKK560H3-2	1800		206	95.6						YKK560H1-4	1250	1500	144	95.2	0.88	1.8	0.6	6.5	113	YKK560H2-4	1400	161	95.3	YKK560H3-4	1600		183	95.4						YKK560H1-6	900	1000	107	95.0	0.85	1.8	0.7	6.5	108	YKK560H2-6	1000	119	95.1	YKK560H3-6	1120		133	95.2	YKK560H1-8		630	750	78.2	94.5	0.82					1.8	0.7	6.0	110	YKK560H2-8	710	80.0	94.6	YKK560H3-8	800	99.1	94.7	0.82	105	YKK560H1-10		500	600					65.9	93.6	0.78	1.8	0.7	6.0	102	YKK560H2-10	560	73.7	93.7	0.80	105	YKK560H3-10	630	600	82.8	93.8	0.80	1.8	0.7	6.0	105	YKK560H4-10	710	93.1	94.0	YKK560H1-12	355	500	49.6	93.0	0.74	1.8	0.7	6.0	102	YKK560H2-12	400	55.7	93.3	0.75																																																																									
YKK500H3-8	500	750	63.8	94.2	0.80	1.8	0.8	5.5	102																																																																																																																																																																																																																																																																																																	
YKK500H4-8	560		71.4	94.4					0.80	105																																																																																																																																																																																																																																																																																																
YKK500H1-10	315	600	43.0	92.8	0.76	1.8	0.8	5.5	102																																																																																																																																																																																																																																																																																																	
YKK500H2-10	355		48.3	93.0						YKK500H3-10	400	600	54.3	93.3	0.76	1.8	0.8	5.5	102	YKK500H4-10	450	61.0	93.4	YKK500H1-12	220	500	31.9	92.2	0.72	1.8	0.8	5.5	99	YKK500H2-12	250	36.1	92.5	0.72	102	YKK500H3-12	280	500	40.4	92.7	0.72	1.8	0.8	5.5	102	YKK500H4-12	315	45.4	92.8	YKK560H1-2	1400	3000	160	95.4	0.88	1.8	0.6	7.0	112	YKK560H2-2	1600	183	95.5	YKK560H3-2	1800	206	95.6	YKK560H1-4	1250	1500	144	95.2	0.88	1.8	0.6	6.5	113	YKK560H2-4	1400	161	95.3	YKK560H3-4	1600	183	95.4	YKK560H1-6	900	1000	107	95.0	0.85	1.8	0.7	6.5	108	YKK560H2-6	1000	119	95.1	YKK560H3-6	1120	133	95.2	YKK560H1-8	630	750	78.2	94.5	0.82	1.8	0.7	6.0	110	YKK560H2-8	710	80.0	94.6	YKK560H3-8	800	99.1	94.7	0.82	105	YKK560H1-10	500	600	65.9	93.6	0.78	1.8	0.7	6.0	102	YKK560H2-10	560	73.7	93.7	0.80	105	YKK560H3-10	630	600	82.8	93.8	0.80	1.8	0.7	6.0	105	YKK560H4-10	710	93.1	94.0	YKK560H1-12	355	500	49.6	93.0	0.74	1.8	0.7	6.0	102	YKK560H2-12	400	55.7	93.3	0.75																																																																																																																														
YKK500H3-10	400	600	54.3	93.3	0.76	1.8	0.8	5.5	102																																																																																																																																																																																																																																																																																																	
YKK500H4-10	450		61.0	93.4						YKK500H1-12	220	500	31.9	92.2	0.72	1.8	0.8	5.5	99	YKK500H2-12	250	36.1	92.5	0.72	102	YKK500H3-12	280	500	40.4	92.7	0.72	1.8	0.8	5.5	102	YKK500H4-12	315	45.4	92.8	YKK560H1-2	1400	3000	160	95.4	0.88	1.8	0.6	7.0	112	YKK560H2-2	1600	183	95.5	YKK560H3-2	1800		206	95.6						YKK560H1-4	1250	1500	144	95.2	0.88	1.8	0.6	6.5	113		YKK560H2-4	1400						161	95.3	YKK560H3-4	1600	183	95.4	YKK560H1-6	900	1000	107		95.0	0.85						1.8	0.7	6.5	108	YKK560H2-6	1000	119	95.1	YKK560H3-6	1120		133	95.2					YKK560H1-8	630	750	78.2	94.5	0.82	1.8	0.7	6.0	110	YKK560H2-8	710	80.0	94.6	YKK560H3-8	800	99.1	94.7	0.82	105	YKK560H1-10	500	600	65.9	93.6	0.78	1.8	0.7	6.0	102	YKK560H2-10	560	73.7	93.7	0.80	105	YKK560H3-10	630	600	82.8	93.8	0.80	1.8	0.7	6.0	105	YKK560H4-10	710	93.1	94.0	YKK560H1-12	355	500	49.6	93.0	0.74	1.8	0.7	6.0	102	YKK560H2-12	400	55.7	93.3	0.75																																																																																																																					
YKK500H1-12	220	500	31.9	92.2	0.72	1.8	0.8	5.5	99																																																																																																																																																																																																																																																																																																	
YKK500H2-12	250		36.1	92.5					0.72	102																																																																																																																																																																																																																																																																																																
YKK500H3-12	280	500	40.4	92.7	0.72	1.8	0.8	5.5	102																																																																																																																																																																																																																																																																																																	
YKK500H4-12	315		45.4	92.8						YKK560H1-2	1400	3000	160	95.4	0.88	1.8	0.6	7.0	112	YKK560H2-2	1600	183	95.5	YKK560H3-2	1800	206	95.6	YKK560H1-4	1250	1500	144	95.2	0.88	1.8	0.6	6.5	113	YKK560H2-4	1400	161	95.3	YKK560H3-4	1600	183	95.4	YKK560H1-6	900	1000	107	95.0	0.85	1.8	0.7	6.5	108	YKK560H2-6	1000	119	95.1	YKK560H3-6	1120	133	95.2	YKK560H1-8	630	750	78.2	94.5	0.82	1.8	0.7	6.0	110	YKK560H2-8	710	80.0	94.6	YKK560H3-8	800	99.1	94.7	0.82	105	YKK560H1-10	500	600	65.9	93.6	0.78	1.8	0.7	6.0	102	YKK560H2-10	560	73.7	93.7	0.80	105	YKK560H3-10	630	600	82.8	93.8	0.80	1.8	0.7	6.0	105	YKK560H4-10	710	93.1	94.0	YKK560H1-12	355	500	49.6	93.0	0.74	1.8	0.7	6.0	102	YKK560H2-12	400	55.7	93.3	0.75																																																																																																																																																																										
YKK560H1-2	1400	3000	160	95.4	0.88	1.8	0.6	7.0	112																																																																																																																																																																																																																																																																																																	
YKK560H2-2	1600		183	95.5						YKK560H3-2	1800		206	95.6						YKK560H1-4	1250	1500	144	95.2	0.88	1.8	0.6	6.5	113		YKK560H2-4	1400						161	95.3	YKK560H3-4	1600	183	95.4	YKK560H1-6	900	1000	107		95.0	0.85						1.8	0.7	6.5	108	YKK560H2-6	1000	119	95.1	YKK560H3-6	1120		133	95.2					YKK560H1-8	630	750	78.2	94.5	0.82	1.8	0.7	6.0	110	YKK560H2-8	710	80.0	94.6	YKK560H3-8	800	99.1	94.7	0.82	105	YKK560H1-10	500	600	65.9	93.6	0.78	1.8	0.7	6.0	102	YKK560H2-10	560	73.7	93.7	0.80	105	YKK560H3-10	630	600	82.8	93.8	0.80	1.8	0.7	6.0	105	YKK560H4-10	710	93.1	94.0	YKK560H1-12	355	500	49.6	93.0	0.74	1.8	0.7	6.0	102	YKK560H2-12	400	55.7	93.3	0.75																																																																																																																																																																	
YKK560H3-2	1800		206	95.6						YKK560H1-4	1250	1500	144	95.2	0.88	1.8	0.6	6.5	113	YKK560H2-4	1400		161	95.3						YKK560H3-4	1600	183	95.4	YKK560H1-6	900	1000	107	95.0	0.85	1.8	0.7	6.5	108	YKK560H2-6	1000		119	95.1	YKK560H3-6		1120	133	95.2	YKK560H1-8	630					750	78.2	94.5	0.82	1.8	0.7	6.0	110	YKK560H2-8	710	80.0	94.6	YKK560H3-8	800	99.1		94.7	0.82					105	YKK560H1-10	500	600	65.9	93.6	0.78	1.8	0.7	6.0	102	YKK560H2-10	560		73.7	93.7					0.80	105	YKK560H3-10	630	600	82.8	93.8	0.80	1.8		0.7	6.0						105	YKK560H4-10	710	93.1	94.0	YKK560H1-12		355	500						49.6	93.0	0.74	1.8	0.7	6.0	102	YKK560H2-12	400	55.7	93.3	0.75																																																																																																																																																										
YKK560H1-4	1250	1500	144	95.2	0.88	1.8	0.6	6.5	113																																																																																																																																																																																																																																																																																																	
YKK560H2-4	1400		161	95.3						YKK560H3-4	1600		183	95.4						YKK560H1-6	900	1000	107	95.0	0.85	1.8	0.7	6.5	108	YKK560H2-6	1000	119	95.1	YKK560H3-6	1120		133	95.2						YKK560H1-8	630	750	78.2	94.5	0.82	1.8	0.7	6.0	110	YKK560H2-8	710	80.0	94.6	YKK560H3-8	800		99.1	94.7					0.82	105	YKK560H1-10	500	600	65.9	93.6	0.78	1.8	0.7	6.0	102	YKK560H2-10	560	73.7	93.7	0.80	105	YKK560H3-10	630	600	82.8	93.8	0.80	1.8	0.7	6.0	105	YKK560H4-10	710	93.1	94.0	YKK560H1-12	355	500	49.6	93.0	0.74	1.8	0.7	6.0	102	YKK560H2-12	400	55.7	93.3	0.75																																																																																																																																																																																									
YKK560H3-4	1600		183	95.4						YKK560H1-6	900	1000	107	95.0	0.85	1.8	0.7	6.5	108	YKK560H2-6	1000		119	95.1						YKK560H3-6	1120	133	95.2	YKK560H1-8	630	750	78.2	94.5	0.82	1.8	0.7	6.0	110	YKK560H2-8	710		80.0	94.6					YKK560H3-8	800	99.1	94.7	0.82	105	YKK560H1-10	500	600	65.9	93.6	0.78	1.8	0.7	6.0	102	YKK560H2-10	560		73.7	93.7					0.80	105	YKK560H3-10	630	600	82.8	93.8	0.80	1.8		0.7	6.0						105	YKK560H4-10	710	93.1	94.0	YKK560H1-12		355	500						49.6	93.0	0.74	1.8	0.7	6.0	102	YKK560H2-12	400	55.7	93.3	0.75																																																																																																																																																																																		
YKK560H1-6	900	1000	107	95.0	0.85	1.8	0.7	6.5	108																																																																																																																																																																																																																																																																																																	
YKK560H2-6	1000		119	95.1						YKK560H3-6	1120		133	95.2						YKK560H1-8	630	750	78.2	94.5	0.82	1.8	0.7	6.0	110	YKK560H2-8	710	80.0	94.6	YKK560H3-8	800		99.1	94.7					0.82	105	YKK560H1-10	500	600	65.9	93.6	0.78	1.8	0.7	6.0	102	YKK560H2-10	560	73.7	93.7	0.80	105	YKK560H3-10	630	600	82.8	93.8	0.80	1.8	0.7	6.0	105	YKK560H4-10	710	93.1	94.0	YKK560H1-12	355	500	49.6	93.0	0.74	1.8	0.7	6.0	102	YKK560H2-12	400	55.7	93.3	0.75																																																																																																																																																																																																																	
YKK560H3-6	1120		133	95.2						YKK560H1-8	630	750	78.2	94.5	0.82	1.8	0.7	6.0	110	YKK560H2-8	710		80.0	94.6					YKK560H3-8	800	99.1	94.7	0.82	105	YKK560H1-10	500	600	65.9	93.6	0.78	1.8	0.7	6.0	102	YKK560H2-10	560		73.7	93.7					0.80	105	YKK560H3-10	630	600	82.8	93.8	0.80	1.8		0.7	6.0						105	YKK560H4-10	710	93.1	94.0	YKK560H1-12		355	500						49.6	93.0	0.74	1.8	0.7	6.0	102	YKK560H2-12	400	55.7	93.3	0.75																																																																																																																																																																																																										
YKK560H1-8	630	750	78.2	94.5	0.82	1.8	0.7	6.0	110																																																																																																																																																																																																																																																																																																	
YKK560H2-8	710		80.0	94.6					YKK560H3-8	800	99.1		94.7	0.82					105	YKK560H1-10	500	600	65.9	93.6	0.78	1.8	0.7	6.0	102	YKK560H2-10	560	73.7	93.7	0.80	105	YKK560H3-10	630	600	82.8	93.8	0.80	1.8	0.7	6.0	105	YKK560H4-10	710	93.1	94.0	YKK560H1-12	355	500	49.6	93.0	0.74	1.8	0.7	6.0	102	YKK560H2-12	400	55.7	93.3	0.75																																																																																																																																																																																																																																										
YKK560H3-8	800		99.1	94.7					0.82	105																																																																																																																																																																																																																																																																																																
YKK560H1-10	500	600	65.9	93.6	0.78	1.8	0.7	6.0	102																																																																																																																																																																																																																																																																																																	
YKK560H2-10	560		73.7	93.7					0.80	105																																																																																																																																																																																																																																																																																																
YKK560H3-10	630	600	82.8	93.8	0.80	1.8	0.7	6.0	105																																																																																																																																																																																																																																																																																																	
YKK560H4-10	710		93.1	94.0						YKK560H1-12	355	500	49.6	93.0	0.74	1.8	0.7	6.0	102	YKK560H2-12	400	55.7	93.3	0.75																																																																																																																																																																																																																																																																																		
YKK560H1-12	355	500	49.6	93.0	0.74	1.8	0.7	6.0	102																																																																																																																																																																																																																																																																																																	
YKK560H2-12	400		55.7	93.3						0.75																																																																																																																																																																																																																																																																																																



Performance Data

6kV 50Hz

Type	kW	r/min	Full Load			Breakdown Torque Rated Torque	Locked Rotor Torque Rated Torque	Locked Rotor Current Rated Current	Sound Power dB(A)
			Current A	Eff. %	Power Factor cosΦ				
YKK560H3-12	450	500	62.6	93.4	0.75	1.8	0.7	6.0	102
YKK560H4-12	500		69.4	93.7					
YKK630H1-2	2000	3000	229	95.7	0.88	1.8	0.6	7.0	112
YKK630H2-2	2240		256	95.8					115
YKK630H3-2	2500		285	95.9					
YKK630H1-4	1800	1500	206	95.5	0.88	1.8	0.6	6.5	113
YKK630H2-4	2000		229	95.6					115
YKK630H3-4	2240		256	95.7					
YKK630H1-6	1250	1000	147	95.3	0.86	1.8	0.7	6.5	110
YKK630H2-6	1400		164	95.4					
YKK630H3-6	1600		187	95.5					
YKK630H1-8	900	750	109	94.8	0.86	1.8	0.7	6.0	105
YKK630H2-8	1000		121	94.9					
YKK630H3-8	1120	750	135	95.0	0.84	1.8	0.7	6.0	107
YKK630H4-8	1250		151	95.1					
YKK630H1-10	800	600	102	94.2	0.80	1.8	0.7	6.0	105
YKK630H2-10	900		115	94.3					
YKK630H3-10	1000	600	127	94.4	0.80	1.8	0.7	6.0	105
YKK630H4-10	1120		142	94.6					107
YKK630H1-12	560	500	75.6	93.8	0.76	1.8	0.7	6.0	105
YKK630H2-12	630		84.9	93.9					
YKK630H3-12	710	500	95.6	94.0	0.76	1.8	0.7	6.0	105
YKK630H4-12	800		108	94.2					

Performance Data

10kV 50Hz

Type	kW	r/min	Full Load			Breakdown Torque Rated Torque	Locked Rotor Torque Rated Torque	Locked Rotor Current Rated Current	Sound Power dB(A)
			Current A	Eff. %	Power Factor cosΦ				
YKK450H2-2	(250)	3000	17.5	92.6	0.89	1.8	0.6	7.0	111
YKK450H3-2	280		19.6	92.8					
YKK450H4-2	315	3000	21.9	93.1	0.89	1.8	0.6	7.0	111
YKK450H5-2	355		24.7	93.3					
YKK450H6-2	400		27.7	93.4					
YKK450H7-2	450	3000	31.2	93.5	0.89	1.8	0.6	7.0	111
YKK450H8-2	500		34.6	93.6					
YKK450H1-4	(250)	1500	18.3	92.6	0.85	1.8	0.7	7.0	104
YKK450H2-4	280		20.3	92.7					
YKK450H3-4	315	1500	22.7	93.2	0.86	1.8	0.7	7.0	104
YKK450H4-4	355		25.5	93.5					106
YKK450H5-4	400	1500	28.7	93.6	0.86	1.8	0.7	7.0	106
YKK450H6-4	450		32.2	93.8					



Performance Data

10kV 50Hz

Type	kW	r/min	Full Load			Breakdown Torque Rated Torque	Locked Rotor Torque Rated Torque	Locked Rotor Current Rated Current	Sound Power dB(A)	
			Current A	Eff. %	Power Factor cosΦ					
YKK450H7-4	500	1500	35.1	93.4	0.88	1.8	0.7	7.0	108	
YKK450H8-4	(560)		38.6	94.0	0.89					
YKK450H3-6	(220)	1000	16.8	92.3	0.82	1.8	0.7	6.0	101	
YKK450H4-6	250		19.1	92.4						
YKK450H5-6	280	1000	21.0	92.7	0.83	1.8	0.7	6.0	103	
YKK450H6-6	315		23.6	92.8						
YKK450H7-6	355	1000	26.5	93.1	0.84	1.8	0.7	6.0	103	
YKK450H8-6	(400)		29.6	92.9					105	
YKK500H2-2	560	3000	38.3	93.7	0.90	1.8	0.6	7.0	112	
YKK500H3-2	630		43.1	93.8						
YKK500H4-2	710	3000	48.5	93.9	0.90	1.8	0.6	7.0	112	
YKK500H5-2	800		54.6	94.0						
YKK500H6-2	900		61.3	94.2						
YKK500H1-4	500	1500	35.3	94.0	0.87	1.8	0.7	7.0	106	
YKK500H2-4	560		39.5	94.2					108	
YKK500H3-4	630	1500	44.3	94.4	0.87	1.8	0.7	7.0	108	
YKK500H4-4	710		49.6	95.0						
YKK500H5-4	800	1500	55.8	95.1	0.87	1.8	0.7	7.0	108	
YKK500H6-4	900		61.8	94.4						0.89
YKK500H2-6	400	1000	29.8	93.3	0.83	1.8	0.7	6.0	103	
YKK500H3-6	450		33.5	93.5						
YKK500H4-6	500	1000	37.0	93.9	0.83	1.8	0.7	6.0	106	
YKK500H5-6	560		40.9	94.1						0.84
YKK500H6-6	630		45.6	93.9						0.85
YKK500H1-8	250	750	20.2	92.6	0.77	1.8	0.7	6.0	97	
YKK500H2-8	280		22.6	92.7						
YKK500H3-8	315	750	25.5	92.8	0.77	1.8	0.7	6.0	99	
YKK500H4-8	355		28.6	93.1						
YKK500H5-8	400	750	31.8	93.2	0.78	1.8	0.7	6.0	102	
YKK500H6-8	450		33.6	93.1						0.83
YKK500H3-10	220	600	18.6	92.1	0.74	1.8	0.7	5.5	97	
YKK500H4-10	250		21.2	92.2						
YKK500H5-10	280	600	23.6	92.4	0.74	1.8	0.7	5.5	97	
YKK500H6-10	315		26.5	92.6					99	
YKK560H3-2	1000	3000	67.2	94.4	0.91	1.8	0.6	7.0	112	
YKK560H4-2	1120		75.2	94.5						
YKK560H5-2	1250		83.8	94.6						
YKK560H3-4	1000	1500	68.8	95.3	0.88	1.8	0.7	7.0	108	
YKK560H4-4	1120		77.0	95.4					109	
YKK560H5-4	1250		84.6	94.8					0.90	113



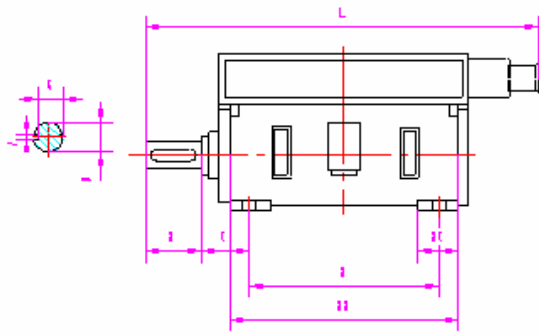
Performance Data

10kV 50Hz

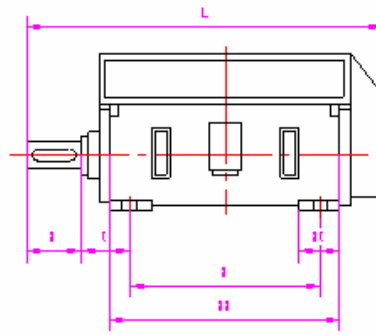
Type	kW	r/min	Full Load			Breakdown Torque Rated Torque	Locked Rotor Torque Rated Torque	Locked Rotor Current Rated Current	Sound Power dB(A)																																																																																																																																																																																																																																																							
			Current A	Eff. %	Power Factor cos Φ																																																																																																																																																																																																																																																											
YKK560H2-6	710	1000	51.6	94.6	0.84	1.8	0.7	6.0	106																																																																																																																																																																																																																																																							
YKK560H3-6	800		58.1	94.7						YKK560H4-6	900	1000	64.0	94.3	0.86	1.8	0.7	6.0	108	YKK560H5-6	1000	71.1	94.4	YKK560H2-8	500	750	39.0	93.8	0.79	1.8	0.7	6.0	99	YKK560H3-8	560	43.6	93.9	0.79	101	YKK560H4-8	630	750	46.4	94.4	0.83	1.8	0.7	6.0	101	YKK560H5-8	710	52.7	93.8	0.83	105	YKK560H1-10	355	600	29.4	92.8	0.75	1.8	0.7	6.0	99	YKK560H2-10	400	33.1	93.0	YKK560H3-10	450	600	36.2	93.2	0.77	1.8	0.7	6.0	99	YKK560H4-10	500	40.1	93.4	YKK560H5-10	560	44.3	93.5	0.78	101	YKK560H1-12	250	500	21.5	92.0	0.73	1.8	0.7	6.0	99	YKK560H2-12	280	24.0	92.1	YKK560H3-12	315	500	27.0	92.3	0.73	1.8	0.7	6.0	99	YKK560H4-12	355	30.4	92.5	YKK560H5-12	400	34.1	92.7	YKK630H2-2	1400	3000	92.7	94.7	0.92	1.8	0.6	7.0	113	YKK630H3-2	1600	105.9	94.8	0.92	YKK630H4-2	1800	118.9	95.0	0.92	YKK630H2-4	1400	1500	94.9	95.7	0.89	1.8	0.6	7.0	109	YKK630H3-4	1600	108	95.8	0.89	109	YKK630H4-4	1800	122	95.9	YKK630H2-6	1000	1000	71.4	95.1	0.85	1.8	0.6	6.0	106	YKK630H3-6	1120	79.8	95.3	YKK630H4-6	1250	1000	88.0	95.4	0.86	1.8	0.6	6.0	108	YKK630H2-8	800	750	59.5	94.7	101	YKK630H3-8	900	750	66.8	94.8	0.82	1.8	0.7	6.0	101	YKK630H4-8	1000	73.2	95.0	0.83	YKK630H1-10	630	600	49.8	93.7	0.78	1.8	0.7	6.0	101	YKK630H2-10	710	56.0	93.9	YKK630H3-10	800	600	61.2	94.3	0.80	1.8	0.7	6.0	101	YKK630H4-10	900	68.7	94.5	YKK630H1-12	400	500	38.3	92.9	0.73	1.8	0.7	6.0	99	YKK630H2-12	500	42.4	93.2	YKK630H3-12	560	500	46.7	93.5	0.74	1.8	0.7
YKK560H4-6	900	1000	64.0	94.3	0.86	1.8	0.7	6.0	108																																																																																																																																																																																																																																																							
YKK560H5-6	1000		71.1	94.4						YKK560H2-8	500	750	39.0	93.8	0.79	1.8	0.7	6.0	99	YKK560H3-8	560	43.6	93.9	0.79	101	YKK560H4-8	630	750	46.4	94.4	0.83	1.8	0.7	6.0	101	YKK560H5-8	710	52.7	93.8	0.83	105	YKK560H1-10	355	600	29.4	92.8	0.75	1.8	0.7	6.0	99	YKK560H2-10	400	33.1	93.0	YKK560H3-10	450	600	36.2	93.2	0.77	1.8	0.7	6.0	99	YKK560H4-10	500	40.1	93.4	YKK560H5-10	560		44.3	93.5						0.78	101	YKK560H1-12	250	500	21.5	92.0	0.73	1.8	0.7	6.0	99	YKK560H2-12	280	24.0	92.1	YKK560H3-12	315	500	27.0	92.3	0.73	1.8	0.7	6.0	99		YKK560H4-12	355						30.4	92.5	YKK560H5-12	400	34.1	92.7	YKK630H2-2	1400	3000	92.7		94.7	0.92						1.8	0.6	7.0	113	YKK630H3-2	1600	105.9	94.8	0.92	YKK630H4-2	1800	118.9		95.0	0.92					YKK630H2-4	1400	1500	94.9	95.7	0.89	1.8	0.6	7.0	109	YKK630H3-4	1600	108	95.8	0.89	109	YKK630H4-4	1800	122	95.9	YKK630H2-6	1000	1000	71.4	95.1	0.85	1.8	0.6	6.0	106	YKK630H3-6	1120	79.8	95.3	YKK630H4-6	1250	1000	88.0	95.4	0.86	1.8	0.6	6.0	108	YKK630H2-8	800	750	59.5	94.7	101	YKK630H3-8	900	750	66.8	94.8	0.82	1.8	0.7	6.0	101	YKK630H4-8	1000	73.2	95.0	0.83	YKK630H1-10	630	600	49.8	93.7	0.78	1.8	0.7	6.0	101	YKK630H2-10	710	56.0	93.9	YKK630H3-10	800	600	61.2	94.3	0.80	1.8	0.7	6.0	101	YKK630H4-10	900	68.7	94.5	YKK630H1-12	400	500	38.3	92.9	0.73	1.8	0.7	6.0	99	YKK630H2-12	500	42.4
YKK560H2-8	500	750	39.0	93.8	0.79	1.8	0.7	6.0	99																																																																																																																																																																																																																																																							
YKK560H3-8	560		43.6	93.9					0.79	101																																																																																																																																																																																																																																																						
YKK560H4-8	630	750	46.4	94.4	0.83	1.8	0.7	6.0	101																																																																																																																																																																																																																																																							
YKK560H5-8	710		52.7	93.8					0.83	105																																																																																																																																																																																																																																																						
YKK560H1-10	355	600	29.4	92.8	0.75	1.8	0.7	6.0	99																																																																																																																																																																																																																																																							
YKK560H2-10	400		33.1	93.0						YKK560H3-10	450	600	36.2	93.2	0.77	1.8	0.7	6.0	99	YKK560H4-10	500	40.1	93.4	YKK560H5-10	560	44.3	93.5	0.78	101	YKK560H1-12	250	500	21.5	92.0	0.73	1.8	0.7	6.0	99	YKK560H2-12	280	24.0	92.1	YKK560H3-12	315	500	27.0	92.3	0.73	1.8	0.7	6.0	99	YKK560H4-12	355	30.4	92.5	YKK560H5-12	400	34.1	92.7	YKK630H2-2	1400	3000	92.7	94.7	0.92	1.8	0.6	7.0	113	YKK630H3-2	1600	105.9	94.8	0.92	YKK630H4-2	1800	118.9	95.0	0.92	YKK630H2-4	1400	1500	94.9	95.7	0.89	1.8	0.6	7.0	109	YKK630H3-4	1600	108	95.8	0.89	109	YKK630H4-4	1800	122	95.9	YKK630H2-6	1000	1000	71.4	95.1	0.85	1.8	0.6	6.0	106	YKK630H3-6	1120	79.8	95.3	YKK630H4-6	1250	1000	88.0	95.4	0.86	1.8	0.6	6.0	108	YKK630H2-8	800	750	59.5	94.7	101	YKK630H3-8	900	750	66.8	94.8	0.82	1.8	0.7	6.0	101	YKK630H4-8	1000	73.2	95.0	0.83	YKK630H1-10	630	600	49.8	93.7	0.78	1.8	0.7	6.0	101	YKK630H2-10	710	56.0	93.9	YKK630H3-10	800	600	61.2	94.3	0.80	1.8	0.7	6.0	101	YKK630H4-10	900	68.7	94.5	YKK630H1-12	400	500	38.3	92.9	0.73	1.8	0.7	6.0	99	YKK630H2-12	500	42.4	93.2	YKK630H3-12	560	500	46.7	93.5	0.74	1.8	0.7	6.0	101	YKK630H4-12	630	52.5	93.7																																																						
YKK560H3-10	450	600	36.2	93.2	0.77	1.8	0.7	6.0	99																																																																																																																																																																																																																																																							
YKK560H4-10	500		40.1	93.4																																																																																																																																																																																																																																																												
YKK560H5-10	560		44.3	93.5						0.78	101																																																																																																																																																																																																																																																					
YKK560H1-12	250	500	21.5	92.0	0.73	1.8	0.7	6.0	99																																																																																																																																																																																																																																																							
YKK560H2-12	280		24.0	92.1						YKK560H3-12	315	500	27.0	92.3	0.73	1.8	0.7	6.0	99	YKK560H4-12	355	30.4	92.5	YKK560H5-12	400	34.1	92.7	YKK630H2-2	1400	3000	92.7	94.7	0.92	1.8	0.6	7.0	113	YKK630H3-2	1600	105.9	94.8	0.92	YKK630H4-2	1800	118.9	95.0	0.92	YKK630H2-4	1400	1500	94.9	95.7	0.89	1.8	0.6	7.0	109	YKK630H3-4	1600	108	95.8	0.89	109	YKK630H4-4	1800	122	95.9	YKK630H2-6	1000	1000	71.4	95.1	0.85	1.8	0.6	6.0	106	YKK630H3-6	1120	79.8	95.3	YKK630H4-6	1250	1000	88.0	95.4	0.86	1.8	0.6	6.0	108	YKK630H2-8	800	750	59.5	94.7	101	YKK630H3-8	900	750	66.8	94.8	0.82	1.8	0.7	6.0	101	YKK630H4-8	1000	73.2	95.0	0.83	YKK630H1-10	630	600	49.8	93.7	0.78	1.8	0.7	6.0	101	YKK630H2-10	710	56.0	93.9	YKK630H3-10	800	600	61.2	94.3	0.80	1.8	0.7	6.0	101	YKK630H4-10	900	68.7	94.5	YKK630H1-12	400	500	38.3	92.9	0.73	1.8	0.7	6.0	99	YKK630H2-12	500	42.4	93.2	YKK630H3-12	560	500	46.7	93.5	0.74	1.8	0.7	6.0	101	YKK630H4-12	630	52.5	93.7																																																																																								
YKK560H3-12	315	500	27.0	92.3	0.73	1.8	0.7	6.0	99																																																																																																																																																																																																																																																							
YKK560H4-12	355		30.4	92.5																																																																																																																																																																																																																																																												
YKK560H5-12	400		34.1	92.7						YKK630H2-2	1400	3000	92.7	94.7	0.92	1.8	0.6	7.0	113	YKK630H3-2	1600	105.9	94.8	0.92	YKK630H4-2	1800	118.9	95.0	0.92	YKK630H2-4	1400	1500	94.9	95.7	0.89	1.8	0.6	7.0	109	YKK630H3-4	1600	108	95.8	0.89	109	YKK630H4-4	1800	122	95.9	YKK630H2-6	1000	1000	71.4	95.1	0.85	1.8	0.6	6.0	106	YKK630H3-6	1120	79.8	95.3	YKK630H4-6	1250	1000	88.0	95.4	0.86	1.8	0.6	6.0	108	YKK630H2-8	800	750	59.5	94.7	101	YKK630H3-8	900	750	66.8	94.8	0.82	1.8	0.7	6.0	101	YKK630H4-8	1000	73.2	95.0	0.83	YKK630H1-10	630	600	49.8	93.7	0.78	1.8	0.7	6.0	101	YKK630H2-10	710	56.0	93.9	YKK630H3-10	800	600	61.2	94.3	0.80	1.8	0.7	6.0	101	YKK630H4-10	900	68.7	94.5	YKK630H1-12	400	500	38.3	92.9	0.73	1.8	0.7	6.0	99	YKK630H2-12	500	42.4	93.2	YKK630H3-12	560	500	46.7	93.5	0.74	1.8	0.7	6.0	101	YKK630H4-12	630	52.5	93.7																																																																																																										
YKK630H2-2	1400	3000	92.7	94.7	0.92	1.8	0.6	7.0	113																																																																																																																																																																																																																																																							
YKK630H3-2	1600		105.9	94.8						0.92																																																																																																																																																																																																																																																						
YKK630H4-2	1800		118.9	95.0						0.92																																																																																																																																																																																																																																																						
YKK630H2-4	1400	1500	94.9	95.7	0.89	1.8	0.6	7.0	109																																																																																																																																																																																																																																																							
YKK630H3-4	1600		108	95.8					0.89	109																																																																																																																																																																																																																																																						
YKK630H4-4	1800		122	95.9																																																																																																																																																																																																																																																												
YKK630H2-6	1000	1000	71.4	95.1	0.85	1.8	0.6	6.0	106																																																																																																																																																																																																																																																							
YKK630H3-6	1120		79.8	95.3						YKK630H4-6	1250	1000	88.0	95.4	0.86	1.8	0.6	6.0	108	YKK630H2-8	800	750	59.5	94.7	101	YKK630H3-8	900	750	66.8	94.8	0.82	1.8	0.7	6.0	101	YKK630H4-8	1000	73.2	95.0	0.83	YKK630H1-10	630	600	49.8	93.7	0.78	1.8	0.7	6.0	101	YKK630H2-10	710	56.0	93.9	YKK630H3-10	800	600	61.2	94.3	0.80	1.8	0.7	6.0	101	YKK630H4-10	900	68.7	94.5	YKK630H1-12	400	500	38.3	92.9	0.73	1.8	0.7	6.0	99	YKK630H2-12	500	42.4	93.2	YKK630H3-12	560	500	46.7	93.5	0.74	1.8	0.7	6.0	101	YKK630H4-12	630	52.5	93.7																																																																																																																																																																
YKK630H4-6	1250	1000	88.0	95.4	0.86	1.8	0.6	6.0	108																																																																																																																																																																																																																																																							
YKK630H2-8	800	750	59.5	94.7					101																																																																																																																																																																																																																																																							
YKK630H3-8	900	750	66.8	94.8	0.82	1.8	0.7	6.0	101																																																																																																																																																																																																																																																							
YKK630H4-8	1000		73.2	95.0						0.83																																																																																																																																																																																																																																																						
YKK630H1-10	630	600	49.8	93.7	0.78	1.8	0.7	6.0	101																																																																																																																																																																																																																																																							
YKK630H2-10	710		56.0	93.9																																																																																																																																																																																																																																																												
YKK630H3-10	800	600	61.2	94.3	0.80	1.8	0.7	6.0	101																																																																																																																																																																																																																																																							
YKK630H4-10	900		68.7	94.5																																																																																																																																																																																																																																																												
YKK630H1-12	400	500	38.3	92.9	0.73	1.8	0.7	6.0	99																																																																																																																																																																																																																																																							
YKK630H2-12	500		42.4	93.2																																																																																																																																																																																																																																																												
YKK630H3-12	560	500	46.7	93.5	0.74	1.8	0.7	6.0	101																																																																																																																																																																																																																																																							
YKK630H4-12	630		52.5	93.7																																																																																																																																																																																																																																																												

6kV Mounting and Overall Dimensions

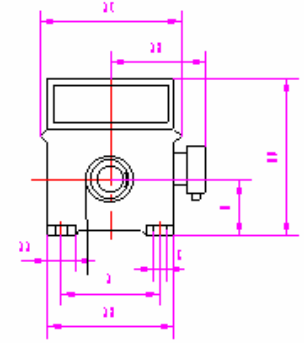
mm



COOLING TYPE IC616



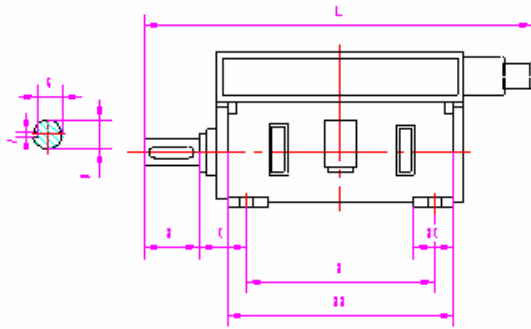
COOLING TYPE :IC611



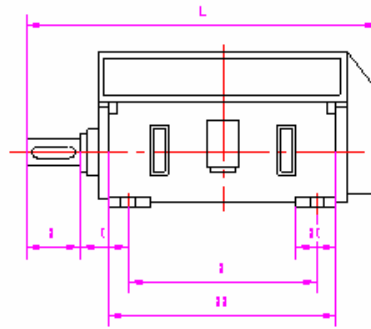
Frame	poles	Mounting Dimension									Overall Dimension							
		A	B	C	D	E	F	G	H	K	AA	AB	AC	BB	BC	HD	AD	L
355	2	630±1.4	900±1.4	315±4	80+0.0	170±0.50	22 0	71 0	355 0	28+0.5	200	800	1120	1340	530	1500	1000	2200
	4.6				100+0.	210±0.57	28 0	90 0	-1.0	2 0								
400	2	710±1.75	1000±1.75	375±4	90+0.0	170±0.50	25 0	81 0	400 0	35+0.	200	900	1260	1540	600	1700	1050	2400
	4.6.8			335±4	110+0.	210±0.57	28 0	100 0	-1.0	62 0								
450	2	800±1.75	1120±1.75	400±4	100+0.	210±0.57	28 0	90 0	450 0	35+0.	200	980	1420	1670	600	1900	1100	2600
	4			120+0.	32 0		109 0	-1.0										
	6-12			355±4	130+0.	250±0.57	-0.062	119 0										
500	2	900±2.1	1250±2.1	560±4	110+0.	210±0.57	28 0	100 0	500 0	42+0.	250	1110	1600	1820	650	2200	1150	2900
	4			130+0.	32 0	119 0	-1.0	62 0										
	6-12			475±4	140+0.	250±0.57	36 0	128 0										
560	2	1000±2.1	1400±2.1	560±4	130+0.	250±0.57	32 0	119 0	560 0	42+0.	250	1230	1800	1940	400	2400	1250	3200
	4			150+0.	36 0		138 0	-1.0										
	6-12			500±4	160+0.	300±0.65	40 0	147 0										
630	2	1120±2.1	1600±2.1	560±4	140+0.	250±0.57	36 0	128 0	630 0	48+0.	250	1360	2000	2050	400	2700	1300	3500
	4			170+0.	40 0	157 0	-1.0	62 0										
	6-12			530±4	180+0.	300±0.65	45 0	165 0										

10KV Mounting and Overall Dimensions

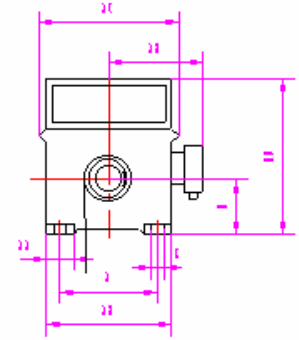
mm



COOLING TYPE IC616



COOLING TYPE :IC611



Frame	Pole	Mounting Dimension									Overall Dimension								
		A	B	C	D	E	F	G	H	K	AA	AB	AC	BB	BC	HD	AD	L	
450	2	800±1.75	1120±1.75	400±4	90+0.03	170±0.50	25 0	81 0	450 0	35+0.	200	980	1300	1670	600	1670	1050	2660	
	4			355±4	110+0.0	210±0.57	28 0	100 0		-1.0								62	2360
	6~12				35		-0.05	-0.2		0									
500	2	900±2.1	1250±2.1	560±4	100+0.0	210±0.57	28 0	90 0	500 0	42+0.	250	1110	1420	1820	650	1895	1080	3180	
	4			475±4	120+0.03	210±0.57	32 0	109 0		-1.0								62 0	3000
	6~12				130+0.04	250±0.57	-0.062	119 0											
560	2	1000±2.1	1400±2.1	560±4	130+0.0	250±0.57	32 0	119 0	560 0	42+0.	250	1230	1600	1940	400	2400	1100	3420	
	4			500±4	150+0.03	250±0.57	36 0	138 0		-1.0								62 0	3300
	6~12				160+0.04	300±0.65	40 0	147 0											
630	2	1120±2.1	1600±2.1	560±4	140+0.0	250±0.57	36 0	128 0	630 0	48+0.	250	1360	1800	2050	400	2700	1200	3720	
	4			530±4	170+0.04	300±0.65	40 0	157 0		-1.0								62 0	3600
	6~12				190+0.04		45 0	165 0											

* ALL DATA SUBJECT TO CHANGE WITHOUT NOTICE, USE ONLY CERTIFIED DATA FOR CONSTRUCTION PURCHASES.