

Y 系列中型高压三相异步电动机

Y SERIES MIDDLE-SIZED HIGH-VOLTAGE THREE PHASE INDUCTION MOTOR



Frame **355~630 (6kV)** **450~630 (10kV)**

Power **220~2800kW (6kV)** **220~2240 (10kV)**

Working Cond S1

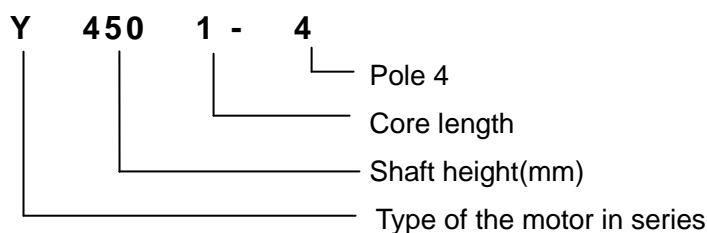
Insulation: F

Applications: General purpose including compressor, water pump, crack machine, cut machine, transportation machine and other equipments.

Features: High efficiency and energy saving and reliable performance, little vibration. The insulation class is F; the motor has the box-type construction and the protective class is IP23.

Circumstance For Use: The altitude not exceeding 1000m above sea level. The ambient temperature subject to seasonal variations but not exceeding 40°C and not less than -15°C.

Designations of types



Performance Data

6kV 50Hz

Type	kW	r/min	Full Load			Breakdown Torque Rated Torque	Locked Rotor Torque Rated Torque	Locked Rotor Current Rated Current	Sound Power dB(A)
			Current A	Eff. %	Power Factor cosΦ				
Y355H1-2	220	3000	26.5	92.8	0.86	1.8	0.6	7.0	107
Y355H2-2	250		30.1	92.9					
Y355H3-2	280	3000	33.7	93.1	0.86	1.8	0.6	7.0	107
Y355H4-2	315		37.7	93.4					
Y355H5-2	355	3000	42.4	93.7	0.86	1.8	0.6	7.0	107
Y355H6-2	400		47.6	94.1					
Y355H3-4	220	1500	26.7	93.3	0.85	1.8	0.8	6.5	106
Y355H4-4	250		30.3	93.4					
Y355H5-4	280	1500	33.5	93.5	0.86	1.8	0.8	6.5	106
Y355H6-4	315		37.7	93.6					



Performance Data

6kV 50Hz

Type	kW	r/min	Full Load			Breakdown Torque Rated Torque	Locked Rotor Torque Rated Torque	Locked Rotor Current Rated Current	Sound Power dB(A)
			Current A	Eff. %	Power Factor cosΦ				
Y355H5-6	220	1000	27.8	93.0	0.82	1.8	0.8	6.0	103
Y355H6-6	250		31.4	93.3					
Y400H1-2	450	3000	53.3	94.4	0.86	1.8	0.6	7.0	107
Y400H2-2	500		58.4	94.6					
Y400H3-2	560	3000	65.4	94.7	0.87	1.8	0.6	7.0	109
Y400H4-2	630		73.4	94.0					
Y400H1-4	355	1500	42.3	93.8	0.86	1.8	0.8	6.5	106
Y400H2-4	400		47.6	94.0					
Y400H3-4	450		53.5	94.2					
Y400H4-4	500	1500	58.6	94.3	0.87	1.8	0.8	6.5	106
Y400H5-4	560		65.5	94.5					108
Y400H2-6	280	1000	34.7	93.5	0.83	1.8	0.8	6.0	103
Y400H3-6	315		39.0	93.7					
Y400H4-6	355	1000	43.8	93.9	0.83	1.8	0.8	6.0	103
Y400H5-6	400		49.3	94.0					
Y400H3-8	220	750	29.2	92.9	0.78	1.8	0.8	5.5	99
Y400H4-8	250		32.7	93.0					
Y400H5-8	280		36.6	93.2					
Y450H1-2	710	3000	92.6	95.0	0.87	1.8	0.6	7.0	109
Y450H2-2	800		92.9	95.2					
Y450H3-2	900	3000	104.5	95.3	0.87	1.8	0.6	7.0	109
Y450H4-2	1000		114.6	95.4					
Y450H1-4	630	1500	73.5	94.8	0.87	1.8	0.8	6.5	108
Y450H2-4	710		82.7	95.0					
Y450H3-4	800	1500	93.0	95.1	0.87	1.8	0.8	6.5	108
Y450H4-4	900		105	95.2					
Y450H1-6	450	1000	54.7	94.3	0.84	1.8	0.8	6.0	103
Y450H2-6	500		59.9	94.5					
Y450H3-6	560	1000	66.9	94.7	0.85	1.8	0.8	6.0	106
Y450H4-6	630		75.2	94.8					
Y450H1-8	315	750	40.6	93.4	0.80	1.8	0.8	5.5	99
Y450H2-8	355		45.7	93.5					
Y450H3-8	400	750	51.3	93.7	0.80	1.8	0.8	5.5	99
Y450H4-8	450		57.0	93.8					
Y450H1-10	220	600	29.9	92.1	0.77	1.8	0.8	5.5	99
Y450H2-10	250		33.4	92.3					
Y450H3-10	280		37.3	92.5					
Y450H4-10	315	600	41.4	92.6	0.79	1.8	0.8	5.5	99
Y450H5-10	355		46.6	92.8					
Y450H4-12	220	500	31.7	91.4	0.73	1.8	0.8	5.5	99
Y450H5-12	250		35.9	91.7					
Y500H1-2	1120	3000	128.2	95.5	0.88	1.8	0.6	7.0	110
Y500H2-2	1250		142.9	95.6					
Y500H3-2	1400	3000	159.9	95.7	0.88	1.8	0.6	7.0	110
Y500H4-2	1600		182.6	95.8					



Performance Data

6kV 50Hz

Type	kW	r/min	Full Load			Breakdown Torque Rated Torque	Locked Rotor Torque Rated Torque	Locked Rotor Current Rated Current	Sound Power dB(A)
			Current A	Eff. %	Power Factor cosΦ				
Y500H1-4	1000	1500	116	95.3	0.87	1.8	0.7	6.5	108
Y500H2-4	1120		128	95.4	0.88				109
Y500H3-4	1250	1500	143	95.5	0.88	1.8	0.7	6.5	109
Y500H4-4	1400		160	95.6					
Y500H1-6	710	1000	84.6	95.0	0.85	1.8	0.7	6.0	106
Y500H2-6	800		95.2	95.1					
Y500H3-6	900	1000	107	95.2	0.85	1.8	0.7	6.0	106
Y500H4-6	1000		119	95.3					
Y500H1-8	500	750	63.0	94.3	0.81	1.8	0.8	5.5	99
Y500H2-8	560		69.6	94.4					0.82
Y500H3-8	630	750	78.2	94.5	0.82	1.8	0.8	5.5	101
Y500H4-8	710		88.1	94.6					
Y500H1-10	400	600	51.6	93.3	0.80	1.8	0.8	5.5	99
Y500H2-10	450		58.0	93.4					
Y500H3-10	500	600	64.3	93.6	0.80	1.8	0.8	5.5	99
Y500H4-10	560		71.9	93.7					101
Y500H5-10	630		80.8	93.8					
Y500H1-12	280	500	39.3	92.7	0.74	1.8	0.8	5.5	99
Y500H2-12	315		43.6	92.8					
Y500H3-12	355	500	49.0	93.0	0.75	1.8	0.8	5.5	99
Y500H4-12	400		55.0	93.3					
Y500H5-12	450		61.8	93.4					
Y560H1-2	1800	3000	205.2	95.9	0.88	1.8	0.6	7.0	110
Y560H2-2	2000		227.8	96.0					112
Y560H3-2	2240		254.8	96.1					
Y560H1-4	1600	1500	174	95.7	0.89	1.8	0.6	6.5	109
Y560H2-4	1800		196	95.8					
Y560H3-4	2000		217	95.9					
Y560H1-6	1120	1000	127	95.4	0.86	1.8	0.7	6.5	108
Y560H2-6	1250		142	95.5					
Y560H3-6	1400		159	95.6					
Y560H1-8	800	750	93	94.7	0.84	1.8	0.7	6.0	101
Y560H2-8	900		103	94.8					
Y560H3-8	1000		115	94.9					
Y560H1-10	710	600	86.2	94.0	0.82	1.8	0.7	6.0	101
Y560H2-10	800		97.1	94.2					
Y560H3-10	900		108	94.3					
Y560H1-12	500	500	61.6	93.7	0.79	1.8	0.7	6.0	99
Y560H2-12	560		69.9	93.8					101
Y560H3-12	630		77.2	93.9					
Y630H1-2	2500	3000	280.9	96.2	0.89	1.8	0.6	7.0	112
Y630H2-2	2800		314.3	96.3					
Y630H3-2	3150		353.6	96.3					



Performance Data

6kV 50Hz

Type	kW	r/min	Full Load			Breakdown Torque Rated Torque	Locked Rotor Torque Rated Torque	Locked Rotor Current Rated Current	Sound Power dB(A)
			Current A	Eff. %	Power Factor cosΦ				
Y630H1-4	2240	1500	242	96.0	0.89	1.8	0.6	6.5	110
Y630H2-4	2500		270	96.1					
Y630H3-4	2800		301	96.2					
Y630H1-6	1600	1000	179	95.7	0.86	1.8	0.7	6.5	108
Y630H2-6	1800		201	95.8					
Y630H3-6	2000		225	95.9					
Y630H1-8	1120	750	127	95.0	0.84	1.8	0.7	6.0	103
Y630H2-8	1250		143	95.1					
Y630H3-8	1400	750	159	95.2	0.84	1.8	0.7	6.0	103
Y630H4-8	1600		183	95.3					
Y630H1-10	1000	600	120	94.4	0.82	1.8	0.7	6.0	101
Y630H2-10	1120		135	94.6					103
Y630H3-10	1250	600	151	94.8	0.82	1.8	0.7	6.0	103
Y630H4-10	1400		169	94.9					
Y630H1-12	710	500	85.2	94.0	0.79	1.8	0.7	6.0	101
Y630H2-12	800		96	94.2					
Y630H3-12	900	500	108	94.3	0.79	1.8	0.7	6.0	101
Y630H4-12	1000		129	94.4					

Performance Data

10kV 50Hz

Type	kW	r/min	Full Load			Breakdown Torque Rated Torque	Locked Rotor Torque Rated Torque	Locked Rotor Current Rated Current	Sound Power dB(A)
			Current A	Eff. %	Power Factor cosΦ				
Y450H1-2	355	3000	26.1	93.8	0.87	1.8	0.6	7.0	107
Y450H2-2	400		29.5	94.1					
Y450H3-2	450	3000	32.9	94.3	0.87	1.8	0.6	7.0	107
Y450H4-2	500		36.9	94.4					
Y450H5-2	560	3000	39.3	94.5	0.87	1.8	0.6	7.0	109
Y450H6-2	630		44.2	94.6					
Y450H1-4	355	1500	25.3	93.3	0.87	1.8	0.7	7.0	106
Y450H2-4	400		28.4	93.5					
Y450H3-4	450	1500	31.8	93.9	0.87	1.8	0.7	7.0	106
Y450H4-4	500		35.3	94.0					
Y450H5-4	560	1500	39.5	94.2	0.87	1.8	0.7	7.0	106
Y450H6-4	630		44.8	94.4					
Y450H3-6	315	1000	29.8	92.8	0.82	1.8	0.7	6.0	103
Y450H4-6	355		33.5	93.1					
Y500H1-2	710	3000	49.2	94.7	0.88	1.8	0.6	7.0	109
Y500H2-2	800		55.4	94.8					
Y500H3-2	900	3000	62.2	94.9	0.88	1.8	0.6	7.0	109
Y500H4-2	1000		69.1	95					
Y500H5-2	1120		77.2	95.2					110



Performance Data

10kV 50Hz

Type	kW	r/min	Full Load			Breakdown Torque Rated Torque	Locked Rotor Torque Rated Torque	Locked Rotor Current Rated Current	Sound Power dB(A)
			Current A	Eff. %	Power Factor cosΦ				
Y500H1-4	710	1500	49.6	95.0	0.87	1.8	0.7	7.0	108
Y500H2-4	800		55.8	95.1	0.88				
Y500H3-4	900	1500	62.0	95.2	0.88	1.8	0.7	7.0	108
Y500H4-4	1000		68.8	95.3					
Y500H5-4	1120		77.0	95.4					
Y500H1-6	500	1000	37.0	93.9	0.83	1.8	0.7	6.0	103
Y500H2-6	560		40.9	94.1	0.84				106
Y500H3-6	630	1000	45.9	94.4	0.84	1.8	0.7	6.0	106
Y500H4-6	710		51.6	94.6					
Y500H5-6	800		58.1	94.7					
Y500H1-8	315	750	25.5	92.8	0.77	1.8	0.7	6.0	99
Y500H2-8	355		28.6	93.1					
Y500H3-8	400	750	31.8	93.2	0.78	1.8	0.7	6.0	99
Y500H4-8	450		35.7	93.4					
Y500H5-8	500	750	39.0	93.8	0.79	1.8	0.7	6.0	99
Y500H6-8	560		43.6	93.9					
Y500H3-10	280	600	23.6	92.4	0.74	1.8	0.7	5.5	99
Y500H4-10	315		26.5	92.6					
Y500H5-10	355	600	29.4	92.8	0.75	1.8	0.7	5.5	99
Y500H6-10	400		33.1	93.0					
Y560H1-2	1250	3000	84.9	95.4	0.89	1.8	0.6	7.0	110
Y560H2-2	1400		95.1	95.5					
Y560H3-2	1600		108.6	95.6					
Y560H1-4	1120	1500	77.0	95.4	0.89	1.8	0.7	7.0	109
Y560H2-4	1250		84.9	95.5					
Y560H3-4	1400		94.9	95.7					
Y560H1-6	800	1000	58.1	94.7	0.84	1.8	0.7	6.0	106
Y560H2-6	900		64.4	94.9					
Y560H3-6	1000	1000	71.4	95.1	0.85	1.8	0.7	6.0	106
Y560H4-6	1120		79.8	95.3					
Y560H1-8	630	750	43.6	94.4	0.82	1.8	0.7	6.0	101
Y560H2-8	710		47.0	94.6					
Y560H3-8	800	750	52.8	94.7	0.82	1.8	0.7	6.0	101
Y560H4-8	900		59.5	94.8					
Y560H1-10	450	600	36.2	93.2	0.77	1.8	0.7	6.0	99
Y560H2-10	500		40.1	93.4					
Y560H3-10	560	600	44.3	93.5	0.78	1.8	0.7	6.0	101
Y560H4-10	630		49.8	93.7					
Y560H5-10	710		56.0	93.9					
Y560H1-12	315	500	27.0	92.3	0.73	1.8	0.7	6.0	99
Y560H2-12	355		30.4	92.5					



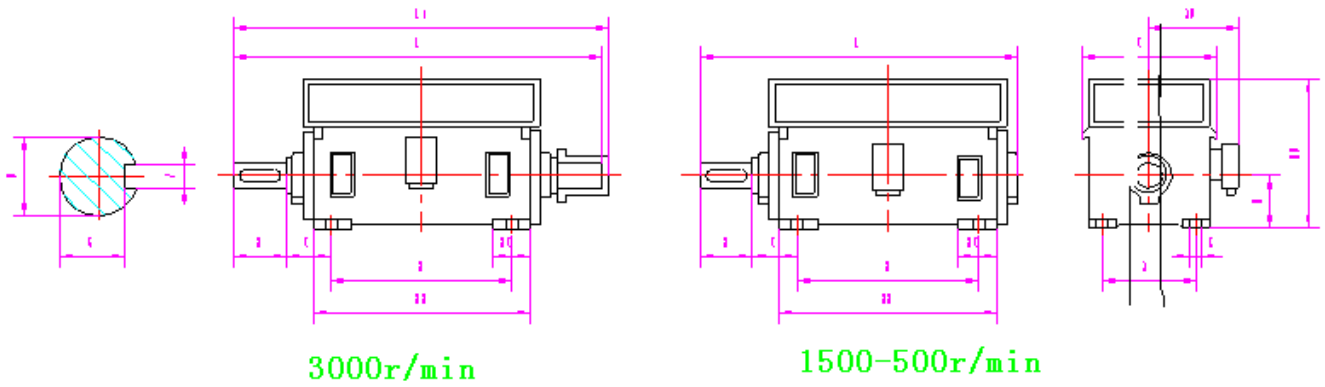
Performance Data

10kV 50Hz

Type	kW	r/min	Full Load			Breakdown Torque Rated Torque	Locked Rotor Torque Rated Torque	Locked Rotor Current Rated Current	Sound Power dB(A)	
			Current A	Eff. %	Power Factor cosΦ					
Y560H3-12	400	500	34.1	92.7	0.73	1.8	0.7	6.0	99	
Y560H4-12	450		38.3	92.9						
Y560H5-12	500		42.4	93.2						
Y630H1-2	1800	3000	120.6	95.7	0.9	1.8	0.6	7.0	110	
Y630H2-2	2000		133.9	95.8						
Y630H3-2	2240		149.7	96					112	
Y630H1-4	1800	1500	108	95.8	0.89	1.8	0.6	7.0	109	
Y630H2-4	2000		122	95.9						
Y630H3-4	2240		135	96.1						
Y630H1-6	1400	1000	79.8	95.3	0.85	1.8	0.6	6.0	108	
Y630H2-6	1600		87.9	95.4						0.86
Y630H3-6	1800		98.2	95.7						
Y630H1-8	1000	750	66.9	94.8	0.82	1.8	0.7	6.0	101	
Y630H2-8	1120		73.2	95.0						0.83
Y630H3-8	1250		81.8	95.2					103	
Y630H1-10	800	600	61.2	94.3	0.80	1.8	0.7	6.0	101	
Y630H2-10	900		68.7	94.5						
Y630H3-10	1000	600	76.3	94.6	0.80	1.8	0.7	6.0	101	
Y630H4-10	1120		85.4	94.7					103	
Y630H1-12	560	500	46.7	93.5	0.74	1.8	0.7	6.0	101	
Y630H2-12	630		52.5	93.7						
Y630H3-12	710	500	59.0	93.9	0.74	1.8	0.7	6.0	101	
Y630H4-12	800		66.2	94.3						

6kV Mouting and Overall Dimensions

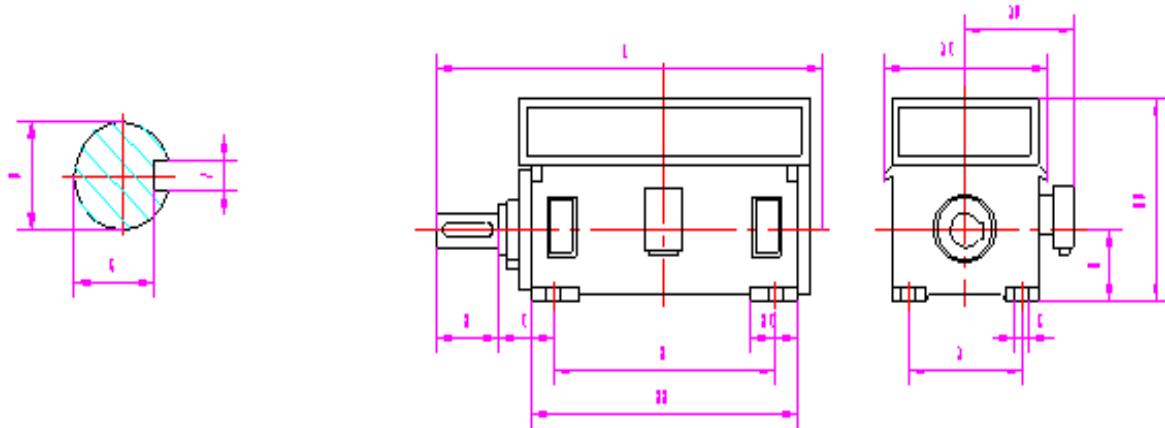
mm



Frame	poles	Mounting Dimension										Overall Dimension							
		A	B	C	D	E	F	G	H	K	AA	AB	AC	BB	CC	HD	AD	L	
355	2	630±1.4	900±1.4	315±4	80+0.0	170±0.50	22 0	71 0	355 0	28+0.5	130	735	1100	1350	220	1170	800	1870	
	4.6				100+0.	210±0.57	28 0	90 0	-1.0	2 0	120	745		1260	210			1890	
400	2	710±1.75	1000±1.75	375±4	90+0.0	170±0.50	25 0	81 0	400 0	35+0.	150	840	1150	1520	250	1330	850	2090	
	4.6.8			335±4	110+0.	210±0.57	28 0	100 0	-1.0	62 0	120	845		1360	220			1980	
450	2	800±1.75	1120±1.75	400±4	100+0.	210±0.57	28 0	90 0	450 0	35+0.	130	935	1300	1490	240	1475	900	2340	
	4			120+0.	32 0		109 0	-1.0										62 0	2180
	6-12			355±4	130+0.	250±0.57	32 0	119 0										1300	2180
500	2	900±2.1	1250±2.1	560±4	110+0.	210±0.57	28 0	100 0	500 0	42+0.	150	1050	1420	1640	250	1655	965	2790	
	4			130+0.	32 0	119 0	-1.0	62 0										2550	
	6-12			475±4	140+0.	250±0.57	36 0	128 0										2550	
560	2	1000±2.1	1400±2.1	560±4	130+0.	250±0.57	32 0	119 0	560 0	42+0.	160	1200	1600	2000	300	1850	1100	3020	
	4			150+0.	36 0		138 0	-1.0										62 0	2900
	6-12			500±4	160+0.	300±0.65	40 0	147 0										2900	
630	2	1120±2.1	1600±2.1	560±4	140+0.	250±0.65	36 0	128 0	630 0	48+0.	170	1400	1800	2200	300	2050	1200	3220	
	4			170+0.	40 0	157 0	-1.0	62 0										3100	
	6-12			530±4	180+0.	300±0.65	45 0	165 0										3100	

10kV Mouting and Overall Dimensions

mm



Frame	poles	Mounting Dimension									Overall Dimension							
		A	B	C	D	E	F	G	H	K	AA	AB	AC	BB	CC	HD	AD	L
450	2	800±1.75	1120±1.75	400±4	90+0.0	170±0.50	25 0	81 0	450 0	35+0.6	130	935	1300			1550	1050	2340
	4.6			355±4	110+0.	210±0.57	28 0	100 0	-1.0	2 0				2180				
500	2	900±2.10	1250±2.1	560±4	100+0.	210±0.57	28 0	90 0	500 0	42+0.	140	1040	1420	1520	250	1700	1100	2790
	4			475±4	120+0.		32 0	109 0						-1.0	62 0			1360
	6-12				130+0.	250±0.57	-0.062	119 0										
560	2	1000±2.1	1400±2.1	560±4	130+0.	250±0.57	32 0	119 0	560 0	42+0.	150	1200	1600			1850	1200	3020
	4			500±4	150+0.		36 0	138 0						-1.0	62 0			1490
	6-12						160+0.	300±0.57	40 0	147 0								
630	2	1120±2.1	1600±2.1	560±4	140+0.	250±0.57	36 0	128 0	630 0	48+0.	160	1400	1800			2050	1300	3220
	4			475±4	170+0.		40 0	157 0						-1.0	62 0			1640
	6-12						180+0.	300±0.57	45 0	165 0								

** ALL DATA SUBJECT TO CHANGE WITHOUT NOTICE, USE ONLY CERTIFIED DATA FOR CONSTRUCTION PURCHASES.